



Quick Operation Guide
for
UV, HEPA and ACHM modules of EzMate™ 401s / 601s

Ver. 1.0



1. Safety Precautions

1. It is recommended to carefully read this operation guide prior to operating the EzMate™ 401s/601s Automated Pipetting System. To ensure safe operation and avoid problems that might arise while using the EzMate™ 401s/601s Automated Pipetting System, it is essential to observe the following points. Please also refer to **Chapter 1 of the EzMate™ 401/601 operation manual** for general safety precautions information.
2. There are fans underneath the instrument for the model equipped with Active Cooling/Heating Module (ACHM) (EZ4SUA0-xxxxxx, EZ4SUAC-xxxxxx, EZ6SUA0-xxxxxx, EZ6SUAC-xxxxxx, EZ4SVA0-xxxxxx, EZ4SVAC-xxxxxx, EZ6SVA0-xxxxxx and EZ6SVAC-xxxxxx), please make sure that there is no loose object on the bench top which could interfere with the fans.
3. There is UV light source inside the instrument. Do not look directly at the UV light while it been turned on.
4. Make sure the **UV Safety Door** in closed when operating the UV light.
5. Open the **UV Safety Door** only when the UV in turned off.



UV light Warning Label: Do not look directly at light.



Electric Shock Warning: Please be aware of electric shock.



Warning: Please be aware of the dangers.

2. Getting Started

2.1 Cables connection for models without ACHM

module (*Model EZ4SU00-xxxxxx, EZ6SU00-xxxxxx, EZ4SV00-xxxxxx and EZ6SV00-xxxxxx*)

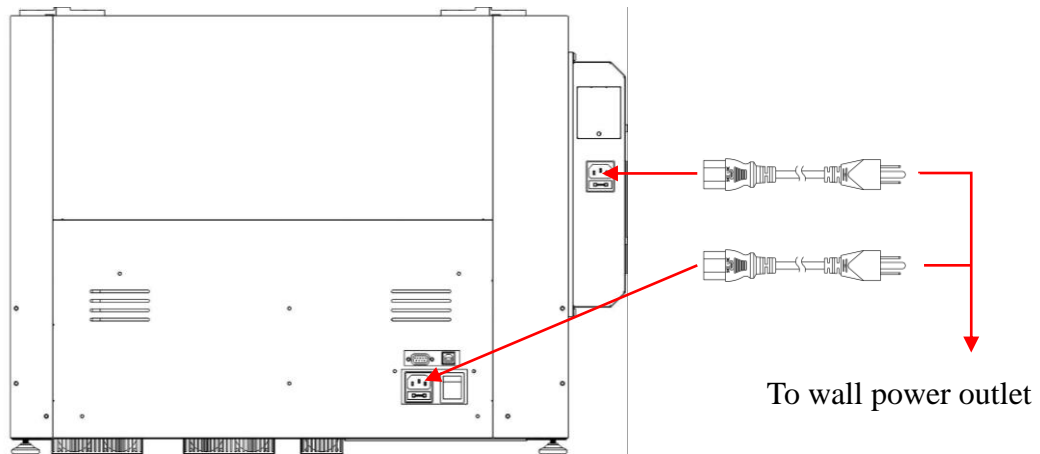


Figure 1. Power cable connection for models without ACHM module

2.2 Cables connection for models with ACHM

module (*Model EZ4SUA0-xxxxxx, EZ4SUAC-xxxxxx, EZ6SUA0-xxxxxx, EZ6SUAC-xxxxxx, EZ4SVA0-xxxxxx, EZ4SVAC-xxxxxx, EZ6SVA0-xxxxxx, EZ6SVAC-xxxxxx*)

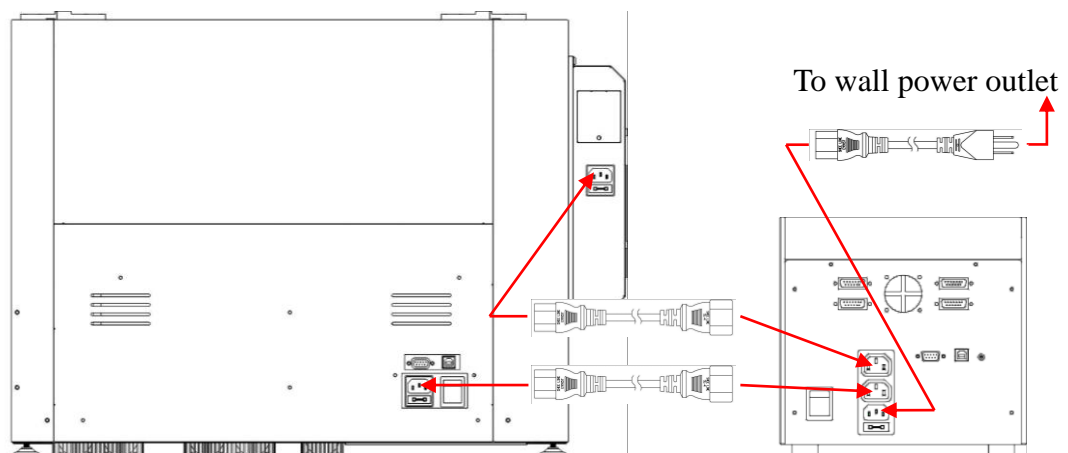


Figure 2. Power cable connection for models with ACHM module

3. Operation

3.1 UV / HEPA Module

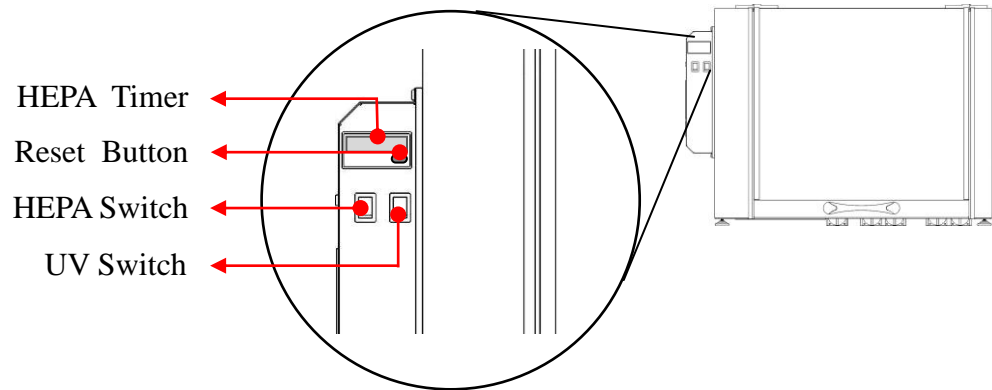


Figure 3. UV/ HEPA module

3.1.1 HEPA Timer

To indicate the total operation time for the HEPA module.

3.1.2 Reset Button

To reset the timer after replacing the HEPA filters.

3.1.3 HEPA Switch

Turn the switch on to power on the HEPA module. To turn off the HEPA module, turn the switch off.

3.1.4 UV Switch

Turn the switch on to power on the UV module. The UV light will be turned off automatically after 15 min. Turn the switch off and turn it back on to power on the UV light again if you want to use the UV light after it been turned off automatically. Turn the switch off to power off the UV module.

3.2 ACHM Module

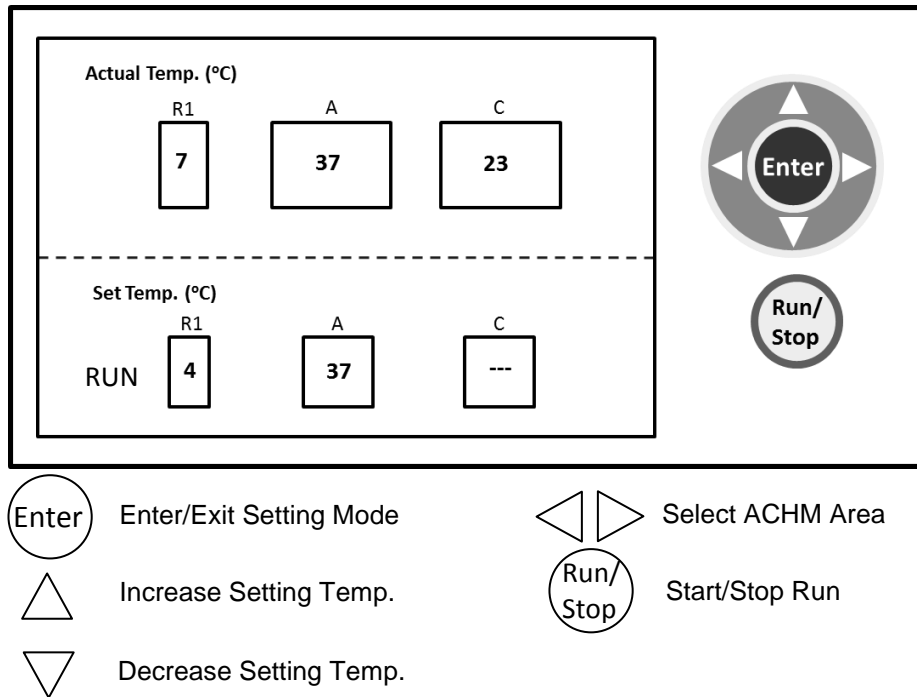


Figure 4. ACHM Control Box

3.2.1 Power on / off

The power switch is on the back of the ACHM Control Box.

Note:

Important! Make sure the run is stopped before you power off the ACHM module. If you power off the ACHM module without stopping the run, the ACHM module will resume the run on the next power on.

3.2.2 Temperature Setting

Press the **Enter** button to enter the Temperature Setting Mode. Use $\triangleleft \triangleright$ button to select ACHM Area you want to set. The selected module will be highlighted in the lower (Set Temp.) part of Control Box display screen. Use $\triangle \nabla$ button to increase / decrease the setting temperature. Press the **Enter** button to exit the Temperature Setting Mode when finished. You can enter the Temperature Setting Mode to modify the setting temperature anytime even during the run.

The temperature setting range is from 4 °C to 70 °C

3.2.3 Start / Stop Run

The current temperature of each module will be displayed in the upper (Actual Temp.) part of the screen. Press **Start/Stop** button to start the run and **RUN** will be shown in the lower left of the screen. To stop the run, press **Start/Stop** button again and **STOP** will be displayed.

The temperature accuracy at 22 °C room temperature:

1. $\pm 2\text{ }^{\circ}\text{C}$ at 4 °C
2. $\pm 1\text{ }^{\circ}\text{C}$ at 37 °C
3. $\pm 2\text{ }^{\circ}\text{C}$ at 70 °C

Ramping rate:

1. Heating: 5 °C/min
2. Cooling: 1 °C/min



P/N: 401-ezar07-10
February, 2014